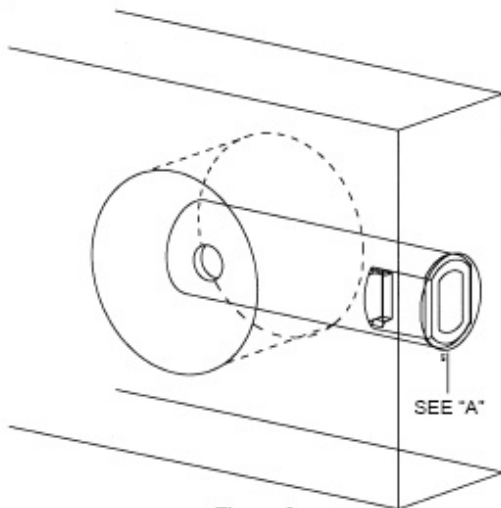
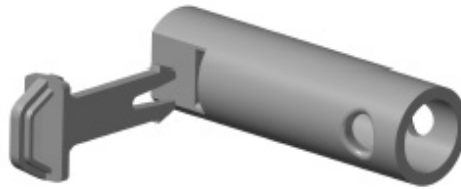


# STANDARD SIDELITE DOOR PLUG—SLDP-075

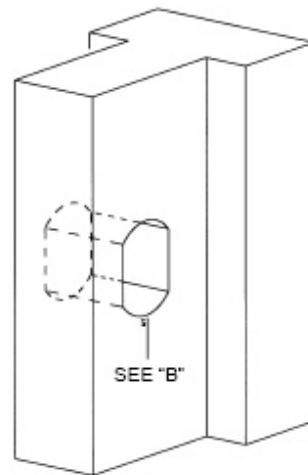
## Installation Instructions

1. Insert SideLite Plug into the door through the 1" edge bore so it's flush with the edge of the door stile. See **Figure 1**.
2. Close door into mullion. See **Figure 3**.
3. Slide SideLite Plug into strike prep. The keyslot must be visible. See **Figure 3**.
4. Insert compression key into the keyslot. See **Figure 4 and 5**.

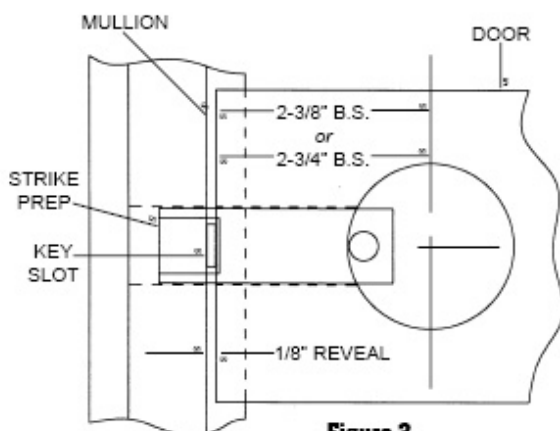
### Chicks<sup>®</sup> Standard SideLite Plug



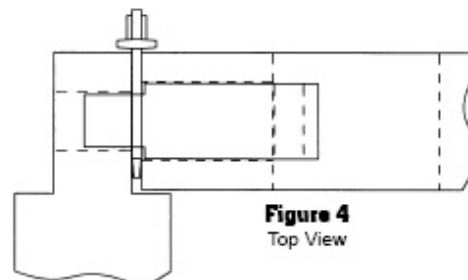
**Figure 1**  
Typical 1-3/4" Exterior Door



**Figure 2**  
Typical SideLite Mullion or Astragal



**Figure 3**  
Front View



**Figure 5**  
Compression Key