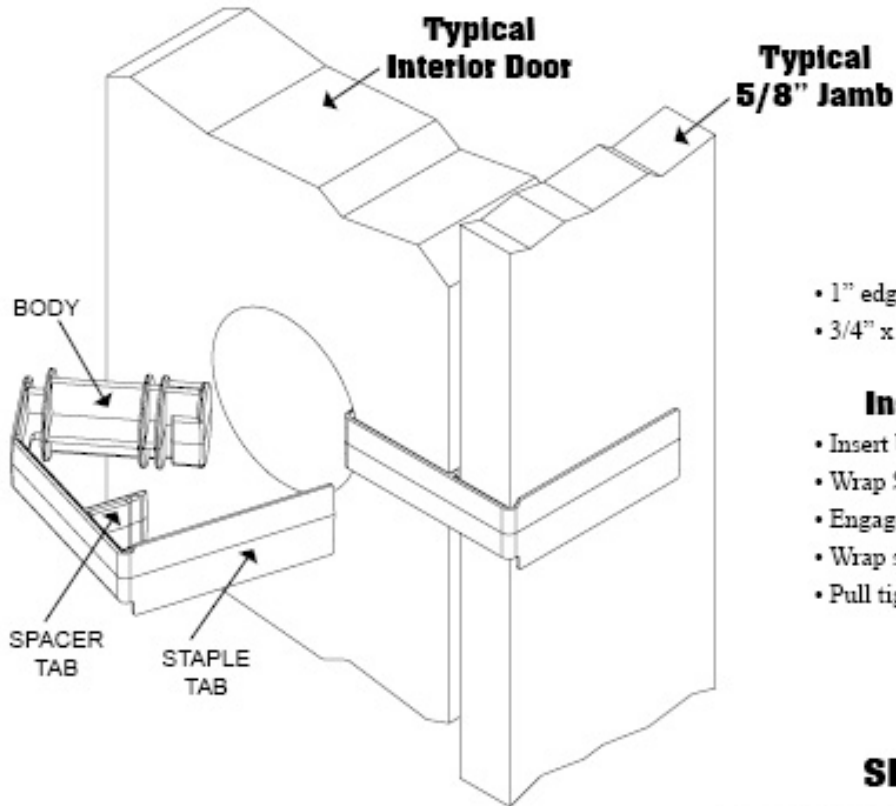
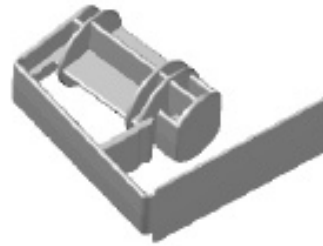


STRAP DOOR PLUG—1PDP-S

Installation Instructions

Chicks[®] Strap Door Plug



Requirements

- 1" edge bore
- 3/4" x 1" strike prep on jamb

Installation Instructions

- Insert body through face bore
- Wrap Strap over face of the door
- Engage spacer tab between door and jamb
- Wrap staple tab around back of jamb
- Pull tightly and staple tab to jamb

